

# TRANBERG® CABLE GLAND

TEF D620

Zone 1, Zone 2 & Safe Area



TEF D620 cable gland is fully compliant with the IEC/EN 60079-0 clamping test requirement with a 100% pull-out force integrated in the gland assembly due to the gasket material developed by R. Stahl Tranberg (International Patent Classification).

The special type of gasket material is made out of an elastic, expandable material with an ad-mixture of coarse grained particles of hardness sufficient for engagement with the surface of a cable.

It will prevent the cable from slipping while it is tightened inside the gland. This will help to protect the cable from stress and damage and it will relieve the strain on the electrical connection and circuitry inside the equipment.

## Application

- Outdoor or indoor for unarmoured cables (Exe/Exd).
- Outdoor or indoor for armoured cables (Exe).
- Sealing on cables outer sheath only.
- Suitable for use in hazardous area, zone 1, zone 2 and safe area.

## Features and benefits

- Sealing on cables outer sheath only.
- O-ring for sealing between cable gland and box / cabinet.
- Fully compliant with the IEC/EN 60079-0 Clamping test requirement.
- No "Special conditions for safe use".

## Approvals and certificates

IECEx certificate No.: IECEx PRE 14.0023

ATEX certificate No.: Presafe 14 ATEX 1532

## Compliance standards:

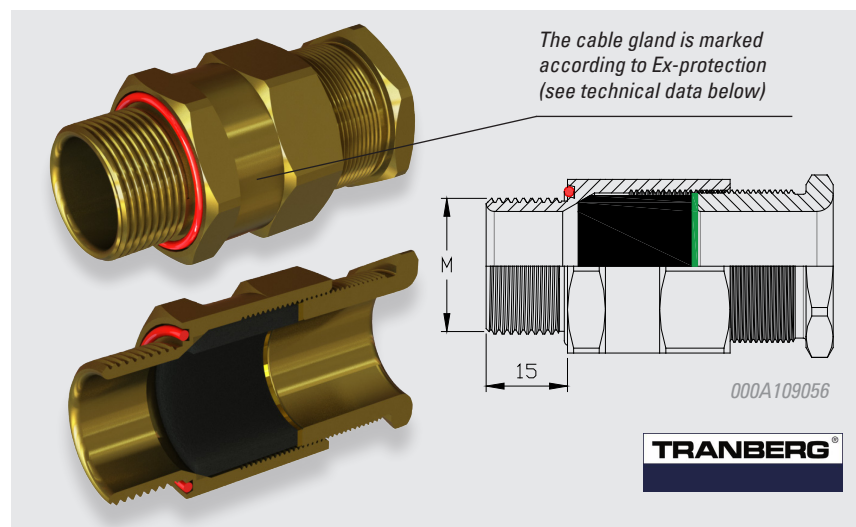
Directive 2014/34/EU

IEC 60079-0-\*

IEC 60079-7-\*

IEC 60079-1-\*

\* Refer to EU Declaration of conformity for more details.



## Technical Data

Material cable gland:	Brass or stainless steel, silicone sealing material, O-ring
Material gasket:	Silicone Shore A 70 w/50% Alu Oxide
Material O-ring:	Silicone Shore A 70 Red
Ingress protection:	IP66/67
Ambient temperature:	-60°C to +135°C
Cable type:	Unarmoured & braided
Sealing technique:	Tranberg® special patented gasket
Sealing areas:	Cable outer sheath
Ex protection:	⊕ II 2 G Ex d IIC Gb
	⊕ II 2 G Ex e IIC Gb

TRANBERG STAHL

THE STRONGEST LINK.

## R. STAHL TRANBERG AS

Main office | Strandsvingen 6 | N-4032 Stavanger, Norway | T +47 51 57 89 00 | E info.no-st@r-stahl.com | stahl-tranberg.com

Oslo office | Lührtoppen 2 | N-1470 Lørenskog, Norway | T +47 24 08 44 10 | E info.no-os@r-stahl.com | stahl-tranberg.com

# TRANBERG® CABLE GLAND

TEF D620

Zone 1, Zone 2 & Safe Area

Entry thread	Sealing code	Clamping range	Entry length	Across flats	Across corners	Part No. Brass	Part No. AISI 316
M16x1.5	A1	2.0-6.0 mm	15 mm	24 mm	26.7 mm	6201631	6201636
M16x1.5	B1	5.0-9.1 mm	15 mm	24 mm	26.7 mm	6201611	6201616
M16x1.5	B2	4.5-7.5 mm	15 mm	24 mm	26.7 mm	6201621	6201626
M20x1.5	A1	2.0-6.0 mm	15 mm	27 mm	30.2 mm	6202061	6202066
M20x1.5	B1	5.0-9.1 mm	15 mm	27 mm	30.2 mm	6202041	6202046
M20x1.5	B2	4.5-7.5 mm	15 mm	27 mm	30.2 mm	6202051	6202056
M20x1.5	C1	9.0-14.3 mm	15 mm	27 mm	30.2 mm	6202011	6202016
M20x1.5	C2	7.0-10.0 mm	15 mm	27 mm	30.2 mm	6202031	6202036
M20x1.5	C3	8.5-13.0 mm	15 mm	27 mm	30.2 mm	6202021	6202026
M25x1.5	A1	2.0-6.0 mm	15 mm	32 mm	36 mm	6202591	6202596
M25x1.5	B1	5.0-9.1 mm	15 mm	32 mm	36 mm	6202571	6202576
M25x1.5	B2	4.5-7.5 mm	15 mm	32 mm	36 mm	6202581	6202586
M25x1.5	C1	9.0-14.3 mm	15 mm	32 mm	36 mm	6202541	6202546
M25x1.5	C2	7.0-10.0 mm	15 mm	32 mm	36 mm	6202561	6202566
M25x1.5	C3	8.5-13.0 mm	15 mm	32 mm	36 mm	6202551	6202556
M25x1.5	D1	15.0-20.0 mm	15 mm	32 mm	36 mm	6202511	6202516
M25x1.5	D2	11.0-15.0 mm	15 mm	32 mm	36 mm	6202531	6202536
M25x1.5	D9	13.0-17.0 mm	15 mm	32 mm	36 mm	6202521	6202526
M32x1.5	E1	22.0-26.5 mm	15 mm	42 mm	47.5 mm	6203211	6203216
M32x1.5	E2	18.0-24.0 mm	15 mm	42 mm	47.5 mm	6203221	6203226
M32x1.5	D1	15.0-20.0 mm	15 mm	42 mm	47.5 mm	6203231	6203236
M32x1.5	D2	11.0-15.0 mm	15 mm	42 mm	47.5 mm	6203251	6203256
M32x1.5	D9	13.0-17.0 mm	15 mm	42 mm	47.5 mm	6203241	6203246
M40x1.5	E1	22.0-26.5 mm	15 mm	50 mm	57 mm	6204031	6204036
M40x1.5	T1	24.5-29.0 mm	15 mm	50 mm	57 mm	6204021	6204026
M40x1.5	F1	26.5-32.4 mm	15 mm	50 mm	57 mm	6204011	6204016
M50x1.5	I1	40.0-44.5 mm	15 mm	65 mm	74 mm	6205011	-
M50x1.5	I2	38.0-43.0 mm	15 mm	65 mm	74 mm	6205021	-
M50x1.5	G1	32.0-38.5 mm	15 mm	65 mm	74 mm	6205041	-
M50x1.5	G2	29.0-35.0 mm	15 mm	65 mm	74 mm	6205051	-
M50x1.5	H1	35.5-41.0 mm	15 mm	65 mm	74 mm	6205031	-
M63x1.5	J1	44.0-50.5 mm	15 mm	80 mm	90.5 mm	6206331	-
M63x1.5	J2	42.0-46.0 mm	15 mm	80 mm	90.5 mm	6206341	-
M63x1.5	K1	50.0-56.5 mm	15 mm	80 mm	90.5 mm	6206311	-
M63x1.5	K2	47.0-53.0 mm	15 mm	80 mm	90.5 mm	6206321	-



R. STAHL TRANBERG AS

Main office | Strandsvingen 6 | N-4032 Stavanger, Norway | T +47 51 57 89 00 | E info.no-st@r-stahl.com | stahl-tranberg.com

Oslo office | Luhrtoppen 2 | N-1470 Lørenskog, Norway | T +47 24 08 44 10 | E info.no-os@r-stahl.com | stahl-tranberg.com